



se 2018 / 06 / 1000

Hotline: +86 400 109 1122

Fax: +86 573 8911 9916

Website: www.se-audiotechnik.com

LINE & ARRAY SERIES

综合工程系列

授权的当地代理 Your authorized local dealer:



s)))e AUDIOTECHNIK

品牌属于德国斯贝克公司，彩页内容仅供参考，本公司保留更改权利。若有更改，恕不另行通知。
is a brand of Speaker Electronic Co.,Ltd.The company reserves the right to alter the designs and material specifications of products shown in this publication without notice.

德匠精工 响撼全球



美高微信



美高官网



s)))e AUDIOTECHNIK 品牌历史

1980年，Michael von Keitz 先生在德国佐林根成立了Speaker Trade 公司，创立了“美高”这一音响品牌，不久之后，该品牌就在音响爱好者中获得了极好的口碑。

1997年，在毗邻上海的嘉善成立了附属公司-- 斯贝克电子（嘉善）有限公司，这在公司历史上具有里程碑意义。凭借先进的德式管理理念和卓越的音响制造技术，s)))e AUDIOTECHNIK生产的优质专业音响畅销全球！

其后，我们的员工队伍也在不断壮大，现有约800名员工。我们拥有专业的生产技能和设备，可自行生产所有的音箱部件：小至0.5英寸的喇叭，大至24英寸的重低音，采用各种上好木材制成的音箱箱体，还有被动分频器、A/B类功放以及带DSP和开关电源的数字高功率功放等各类装配工艺复杂的电子类产品。

最先进的生产技术和严格的质量管控保证了我们的产品是最值得您信赖的。

最后，我们对于国际团队中工程师们卓越的调音运用能力，感到非常自豪。

s)))e AUDIOTECHNIK使您乐在其中！

s)))e AUDIOTECHNIK Corporate History

In 1980, Michael von Keitz established the company Speaker Trade in Solingen, Germany.

It did not take long for the ambitious newcomer to gain an excellent global reputation amongst audio-enthusiasts with his MIVOC brand.

1997 marks the next milestone in our corporate history by founding the 100% affiliated company Speaker Electronic in the periphery of Shanghai. Led by German management and using advanced German technology, s)))e AUDIOTECHNIK PA-speakers of outstanding quality are produced and distributed worldwide.

Since then, our global staffs have steadily grown and currently comprise about 550 employees who, by the use of our peculiar know-how, help manufacture all essential components of loudspeaker boxes inhouse: Production of speakers starting from tiny 0.5" speaker to massive 24" subwoofer driver, crafting of housings using all kinds of important woods and surfaces, assembly of complex electronics ranging from passive crossovers to Class A/B amplifiers to digital high-power amplifiers with DSP and universal SMPS.

State-of-the-art manufacturing technology and very strict quality control guarantee you a maximum reliability of our products.

Last but not least, we are extremely proud of the excellent sound tuning that is being applied by our international team of engineers.

Please enjoy s)))e AUDIOTECHNIK !



Index:

- 05 | 17 V-LINE
- 06 | 07 V-8
- 08 | 09 V-10
- 10 | 11 V-12
- 12 | 13 V-15
- 14 | 15 V-115B
- 16 | 17 V-118B / V-218B
- 18 | 19 Accessories and Operation Options
- 20 | 31 V-ARRAY
- 22 | 25 V-L8 / V-LPS215B
- 26 | 29 MA-LINE
- 26 | 29 MA 2300 / MA 2400 / MA 2600 / MA 2800 / MA 21200

V-LINE

V-LINE产品采用特有的失真校正分析消除技术DECA (Distortion Elimination Correction Analysis), 特制的钕铁硼扬声器单元的惊人表现, 体现在高声压级上提供终极动态能力和纯净清晰的音质水平。音箱箱体都采用100%精选的桦木多层板做结构优化, 以配合每一个单元以最好的方式结合, 这样的结合使得产品具有让人难以置信的频响。同时, 70° × 55°可旋转的号筒能使箱体在横向竖向灵活放置时完美切换。箱体表面喷涂了经久耐用的聚脲漆, 使得箱体适合从FOH到FOH fills, AV演出, 舞台地面监听, 酒吧和教堂 (白色款可选) 等各种场合。该系列产品还配备量身定做的航空箱, 防尘袋和用于吊挂的额外配件来完善整个系列。

The V-Line series adopts DECA Technology (Distortion Elimination Correction Analysis). The Neodymium drivers perform amazingly at high SPL levels providing clear sound with ultimate dynamic capability. The cabinets are constructed of 100% selected Baltic birch wood and optimized to match each combination of transducers in the best possible way, resulting in an incredible full range frequency response. The 75° × 55° rotatable horn helps to realize a perfect dispersion in both horizontal and vertical cabinet placement. Being coated with polyurea paint, these speakers are ready for any situation from FOH to FOH fills, AV presentations, stage floor monitoring, club and churches (white version on request). Accessory like tailor-made flight case, dust bag and additional rigging hardware make this family complete.



The Sound
Experience

V-8

8" two way passive / Active full range loudspeaker

V-8 是额定功率250W的二分频全频音箱。
V系列由8", 10", 12", 15"多功能音箱组成, 设计独特的箱体结构, 经久耐用的聚脲喷漆, 满足各种高强度的扩声环境 and 应用需求。

The V-8 is a two way passive full range loudspeaker with 250W RMS.
The series consists of 8", 10", 12" and 15" multi-purpose speakers for an excellent price / value relation. The uniquely designed cabinets are all made of multiplex and painted with the Polyurea coating which helps stand up to the tough daily demands of touring and live applications.

应用领域 Application

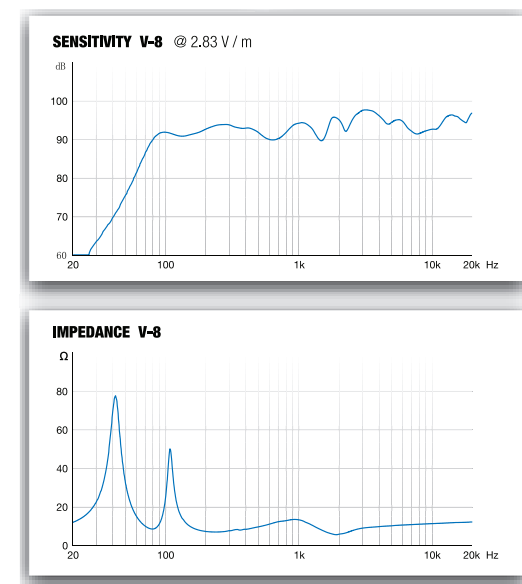
- 乐队演出, 酒吧, 音乐厅, 教堂
- 剧场, 多功能厅
- Band performance, pub, concert hall, church
- Theater, multifunctional hall



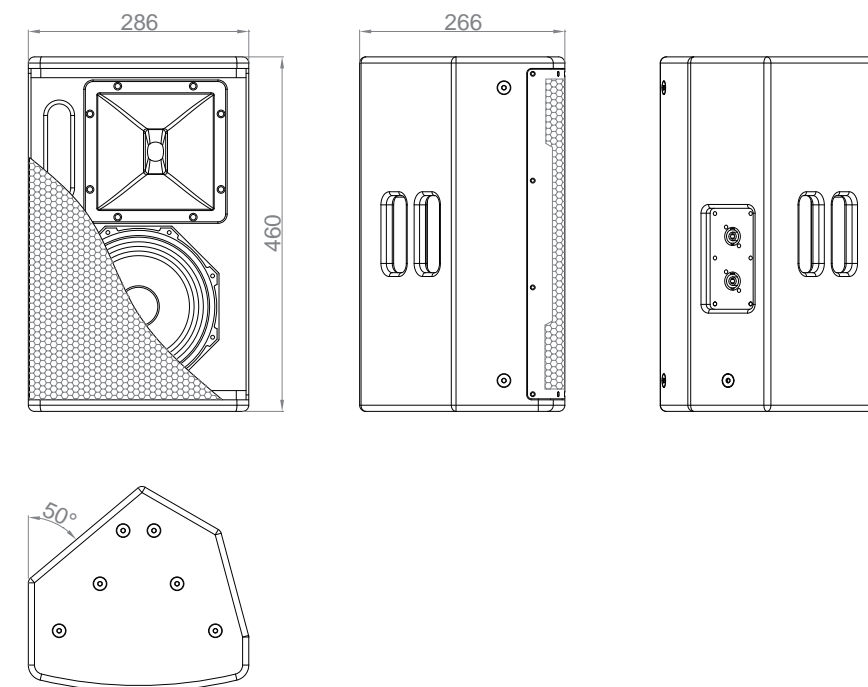
参数规格 Specifications

型号名称: V-8	Model: V-8
类型: 8"无源二分频全频音箱	Type: 8" two way passive full range loudspeaker
频率范围 (-6 dB): 70 Hz - 20 kHz	Frequency response (-6 dB): 70 Hz - 20 kHz
功率 (额定 / 峰值) (AES): 250 W / 1000 W	Power output (RMS / Peak) (AES): 250 W / 1000 W
灵敏度 (1 W / 1 m): 95 dB	Sensitivity (1W / 1m): 95 dB
最大声压级 (1 m): 125 dB	MAX SPL (1 m): 125 dB
阻抗: 8 Ω	Impedance: 8 Ω
指向角度 (水平 垂直): 70° × 55°, 号角可以旋转	Dispersion (H × V): 70° × 55°, HF-Horn rotatable
低音单元: 8"钕磁单元, 2.5"音圈	LF Transducer: 8", neodymium magnet, 2.5" voice coil
高音单元: 1"钕磁钛膜压缩单元, 1.35"音圈	HF Transducer: 1", neodymium magnet, titanium diaphragm, 1.35" voice coil
保护: 高音保护	Protection: Tweeter protection
输入接口: 2 × Neutrik NL-4 pins +1 / -1 input / THRU, pins +2 / -2 空接	Input interface: 2 × Neutrik NL-4 pins +1 / -1 input / THRU, pins +2 / -2 N.C.
吊挂系统: 15个M8吊挂点	Rigging system: 15 × M8 rigging points
箱体材料 / 喷漆: 15 mm桦木多层板 / 聚脲喷漆	Cabinet material / Coating: 15 mm birch plywood / Polyurea coating
尺寸 (W × H × D): 286 × 460 × 266 mm	Dimensions (W × H × D): 286 × 460 × 266 mm
净重: 12 kg	Net Weight: 12 kg
特点: 舒服的提手, 36 mm铝支撑, M8吊挂点	Features: Ergonomic handles, alu stand support (36 mm), M8 rigging points
可选附件: 见附件页面	Available accessory: See accessories page

曲线图 Graph



结构图 Structural diagram



V-10

10" two way passive / Active full range loudspeaker

V-10是额定功率350W的二分频全频音箱。
V系列由8", 10", 12", 15"多功能音箱组成, 设计独特的箱体结构, 经久耐用的聚脲喷漆, 满足各种高强度的扩声环境 and 应用需求。

The V-10 is a two way full range loudspeaker with 350W RMS.
The series consists of 8", 10", 12" and 15" multi-purpose speakers for an excellent price/value relation. The uniquely designed cabinets are all made of multiplex and painted with the Polyurea coating which helps stand up to the tough daily demands of touring and live applications.

应用领域 Application

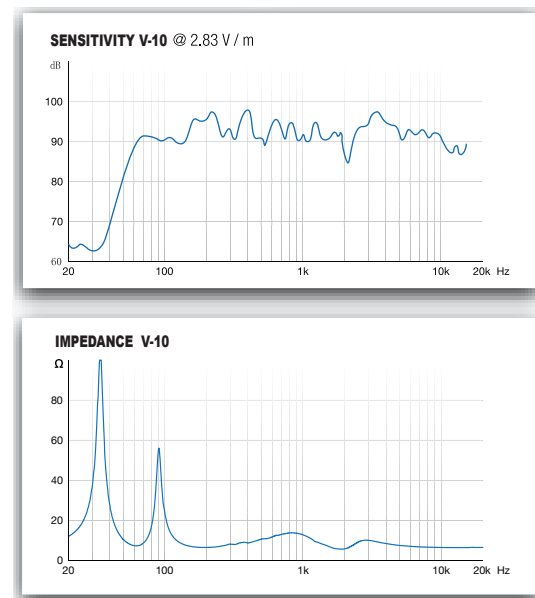
- 乐队演出, 酒吧, 音乐厅, 教堂 Band performance, pub, concert hall, church
- 剧场, 多功能厅 Theater, multifunctional hall



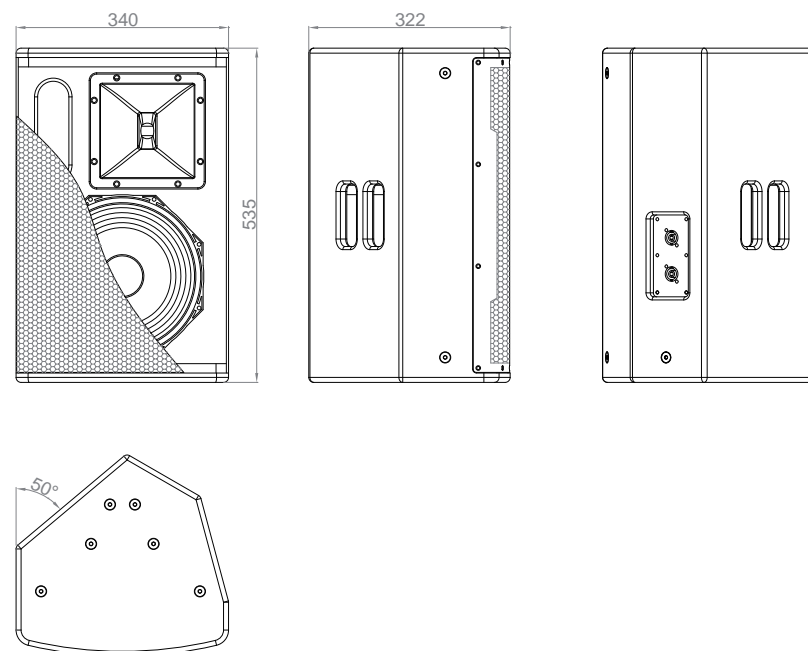
参数规格 Specifications

型号名称: V-10	Model: V-10
类型: 10"无源二分频全频音箱	Type: 10" two way passive full range loudspeaker
频率范围 (-6 dB) : 65 Hz - 19 kHz	Frequency response (-6 dB) : 65 Hz - 19 kHz
功率 (额定 / 峰值) (AES) : 350 W / 1400 W	Power output (RMS / Peak) (AES) : 350 W / 1400 W
灵敏度 (1 W / 1 m) : 97 dB	Sensitivity (1 W / 1 m) : 97 dB
最大声压级 (1 m) : 128 dB	MAX SPL (1 m) : 128 dB
阻抗: 8 Ω	Impedance: 8 Ω
指向角度 (水平 垂直) : 70° × 55°, 号角可以旋转	Dispersion (H × V) : 70° × 55°, HF-horn rotatable
低音单元: 10"钕磁单元, 3"音圈	LF Transducer: 10" neodymium magnet, 3" voice coil
高音单元: 1"钕磁钛膜压缩单元, 1.35"音圈	HF Transducer: 1" neodymium magnet, titanium diaphragm, 1.35" voice coil
保护: 高音保护	Protection: Tweeter protection
输入接口: 2 × Neutrik NL-4 pins +1 / -1 input / THRU, pins +2 / -2 空接	Input interface: 2 × Neutrik NL-4 pins +1 / -1 input / THRU, pins +2 / -2 N.C.
吊挂系统: 15 × M8, 吊挂点	Rigging system: 15 × M8 rigging points
箱体材料/喷漆: 15 mm桦木多层板 / 聚脲喷漆	Cabinet material / Coating: 15 mm birch plywood / Polyurea coating
尺寸 (W × H × D) : 340 × 535 × 322 mm	Dimensions (W × H × D) : 340 × 535 × 322 mm
净重: 16.3 kg	Net weight: 16.3 kg
特点: 舒服的提手, 垂直可调支撑, (SM707), M8吊挂点	Features: Ergonomic handles, stand support adjustable vertically (SM707), M8 rigging points
可选附件: 见附件页面	Available accessory: See accessories page

曲线图 Graph



结构图 Structural diagram



V-12

12" two way passive / Active full range loudspeaker

V-12是额定功率500W的二分频全频音箱。

V系列由8", 10", 12", 15"多功能音箱组成, 设计独特的箱体结构, 经久耐用的聚脲喷漆, 满足各种高强度的扩声环境 and 应用需求。

The V-12 is a two way full range loudspeaker with 500W RMS.

The series consists of 8", 10", 12" and 15" multi-purpose speakers for an excellent price/value relation. The uniquely designed cabinets are all made of multiplex and painted with the Polyurea coating which helps stand up to the tough daily demands of touring and live applications.



应用领域 Application

乐队演出, 酒吧, 音乐厅, 教堂
剧场, 多功能厅

Band performance, pub, concert hall, church
Theater, multifunctional hall

参数规格 Specifications

型号名称: **V-12**

类型: 12"无源二分频全频音箱

频率范围 (-6 dB) : 55 Hz - 19 kHz

功率 (额定 / 峰值) (AES) : 500 W / 2000 W

灵敏度 (1 W / 1 m) : 99 dB

最大声压级 (1 m) : 132 dB

阻抗: 8 Ω

指向角度 (水平 垂直) : 70° × 55°, 号角可以旋转

低音单元: 12"钕磁单元, 3"音圈

高音单元: 1.4"钕磁PEN膜压缩单元, 1.75"音圈

保护: 高音保护

输入接口: 2 × Neutrik NL-4
pins +1 / -1 input / THRU, pins +2 / -2 空接

吊挂系统: 11 × M8吊挂点

箱体材料/喷漆: 15 mm桦木多层板 / 聚脲喷漆

尺寸 (W × H × D) : 390 × 620 × 368 mm

净重: 22.5 kg

特点: 舒服的提手, 垂直可调支撑, (SM707), M8吊挂点

可选附件: 见附件页面

Model: **V-12**

Type: 12" two way passive full range loudspeaker

Frequency response (-6 dB) : 55 Hz - 19 kHz

Power handling (RMS / Peak) (AES) : 500 W / 2000 W

Sensitivity (1 W / 1 m) : 99 dB

MAX SPL (1 m) : 132 dB

Impedance: 8 Ω

Dispersion (H × V) : 70° × 55°, HF-Horn rotatable

LF Transducer: 12" neodymium magnet, 3" voice coil

HF Transducer: 1.4" neodymium magnet, PEN diaphragm, 1.75" voice coil

Protection: Tweeter protection

Input interface: 2x Neutrik NL-4
pins +1 / -1 input / THRU, pins +2 / -2 N.C.

Rigging system: 11x M8 rigging points

Cabinet material / Coating: 15 mm birch plywood / Polyurea coating

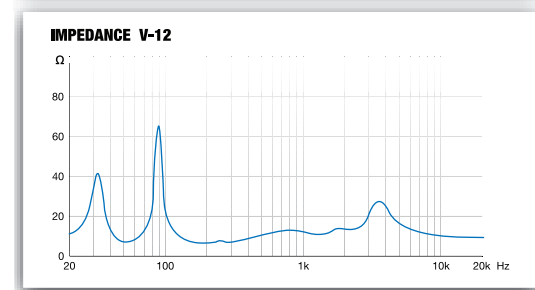
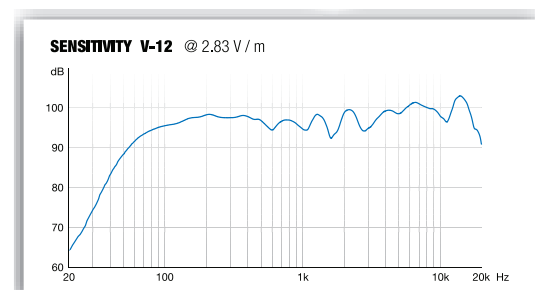
Dimensions (W × H × D) : 390 x 620 x 368 mm

Net weight: 22.5 kg

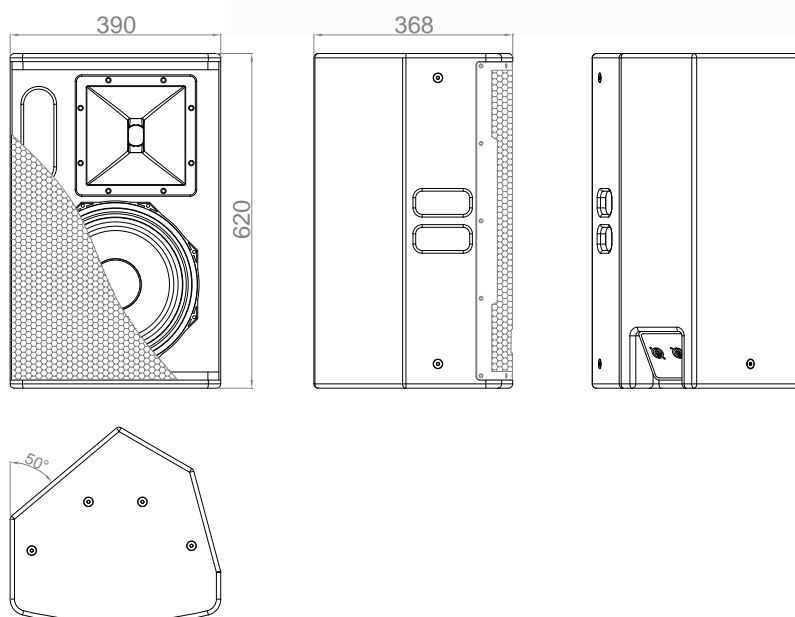
Features: Ergonomic handles, Stand support adjustable vertically (SM707), M8 rigging points

Available accessory: See accessories page

曲线图 Graph



结构图 Structural diagram



V-15

15" two way passive / Active full range loudspeaker

V-15是额定功率650W的二分频全频音箱。

V系列由8", 10", 12", 15"多功能音箱组成, 设计独特的箱体结构, 经久耐用的聚脲喷漆, 满足各种高强度的扩声环境 and 应用需求。

The V-15 is a two way full range loudspeaker with 650W RMS. The series consists of 8", 10", 12" and 15" multi-purpose speakers for an excellent price/value relation. The uniquely designed cabinets are all made of multiplex and painted with the polyurea coating which helps stand up to the tough daily demands of touring and live applications.



应用领域 Application

- | | |
|-------------------|---|
| 乐队演出, 酒吧, 音乐厅, 教堂 | Band performance, pub, concert hall, church |
| 剧场, 多功能厅 | Theater, multifunctional hall |

参数规格 Specifications

型号名称: **V-15**

类型: 15" 无源二分频全频音箱

频率范围 (-6 dB): 50 Hz - 20 kHz

功率 (额定 / 峰值) (AES): 650 W / 2600 W

灵敏度 (1 W / 1 m): 100 dB

最大声压级 (1 m): 134 dB

阻抗: 8 Ω

指向角度 (水平 垂直): 70° × 55°, 号角可以旋转

低音单元: 15" 钕磁单元, 4" 音圈

高音单元: 1.4" BMS 4554, 1.75" 音圈

保护: 高音保护

输入接口: 2x Neutrik NL-4 pins +1 / -1 input / THRU, pins +2 / -2 空接

吊挂系统: 11x M8 吊挂点

箱体材料 / 喷漆: 15 mm 桦木多层板 / 聚脲喷漆

尺寸 (W × H × D): 450 × 716 × 448 mm

净量: 31.5 kg

特点: 舒服的提手, 垂直可调支撑, (SM707), M8吊挂点

可选附件: 见附件页面

Model: V-15

Type: 15" two way passive full range loudspeaker

Frequency response (-6 dB): 50 Hz - 20 kHz

Power handling (RMS / Peak) (AES): 650 W / 2600 W

Sensitivity (1 W / 1 m): 100 dB

MAX SPL (1 m): 134 dB

Impedance: 8 Ω

Dispersion (H × V): 70° × 55°, HF-Horn rotatable

LF Transducer: 15" neodymium magnet, 4" voice coil

HF Transducer: 1.4" BMS 4554, 1.75" voice coil

Protection: Tweeter protection

Input Interface: 2x Neutrik NL-4 pins +1 / -1 input / THRU, pins +2 / -2 N.C.

Rigging System: 11x M8 rigging points

Cabinet material / Coating: 15mm birch plywood / Polyurea coating

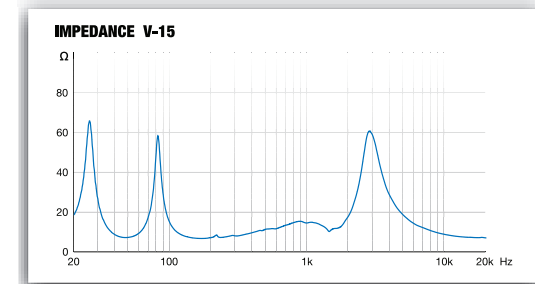
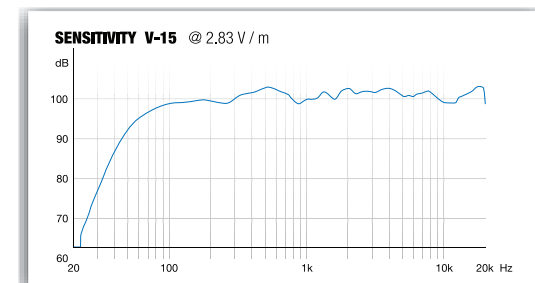
Dimensions (W × H × D): 450 × 716 × 448 mm

Net weight: 31.5 kg

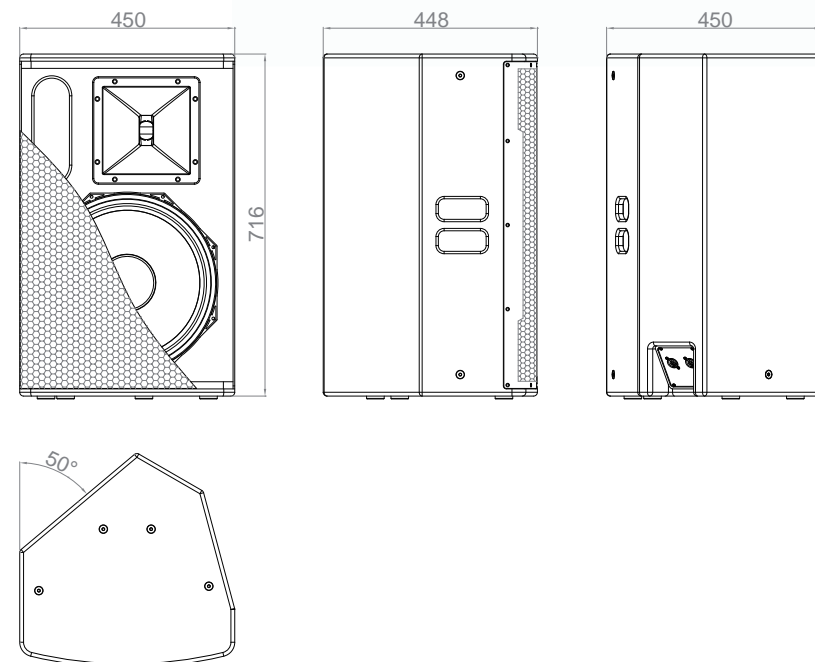
Features: Ergonomic handles, stand support adjustable vertically (SM707), M8 rigging points

Available accessory: See accessories page

曲线图 Graph



结构图 Structural diagram



V-115B / V-215B

15" / Dual 15" bass reflex subwoofer

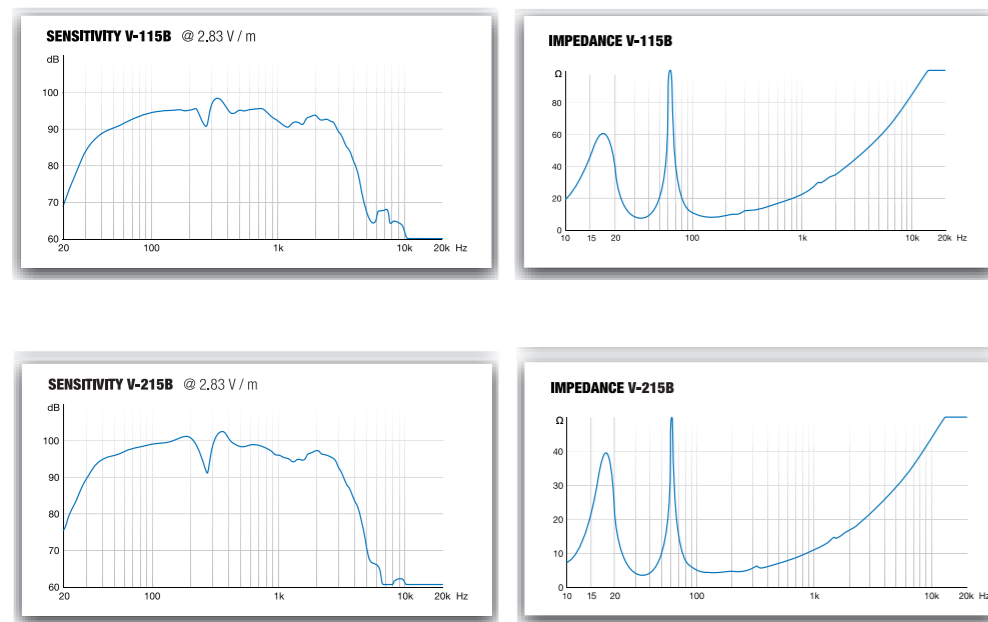
V-115B是单15"额定功率RMS600W的倒相式超低音箱。
V-215B是由双15"低音单元构成，音箱额定功率(RMS)1200W，最大声压级136dB。音箱的工程设计采用了音频回响凝结清除技术CATAR(Clear Audio Time Aligned Responds)，它提供了一个杰出的声音再现，具有紧凑充沛结实低音。V-215B与V-LINE或V-ARRAY，能形成完美的组合扩声体系，在高声压级上都具有极好的频响反应和超清晰的音质再现，设计独特的箱体均由多层桦木板制成并喷聚脲喷漆，满足日常的高强度应用需求和现场需求。

The V-115B is a 15" bassreflex subwoofer with 600W RMS.
The V-215B is a dual 15" bassreflex subwoofer with 1200W RMS and 136 dB MAX SPL.
Engineered with CATAR technology (Clear audio time aligned responds) ,it provides an outstanding sound reproduction. Offering plenty of tight and punchy bass, the V-215B blends beautifully with the V-LINE or V-ARRAY and form an excellent full range response with high SPL and clear sound. The uniquely designed cabinets are all made of multiplex and coated with the Polyurea coating-which helps stand up to the tough daily demands of touring and live applications.

应用领域 Application

- 乐队演出，音乐厅，酒吧，娱乐会所，教堂
- 多功能厅
- Band performance, concert hall, pub, entertainment club, church
- Multifunctional hall

曲线图 Graph

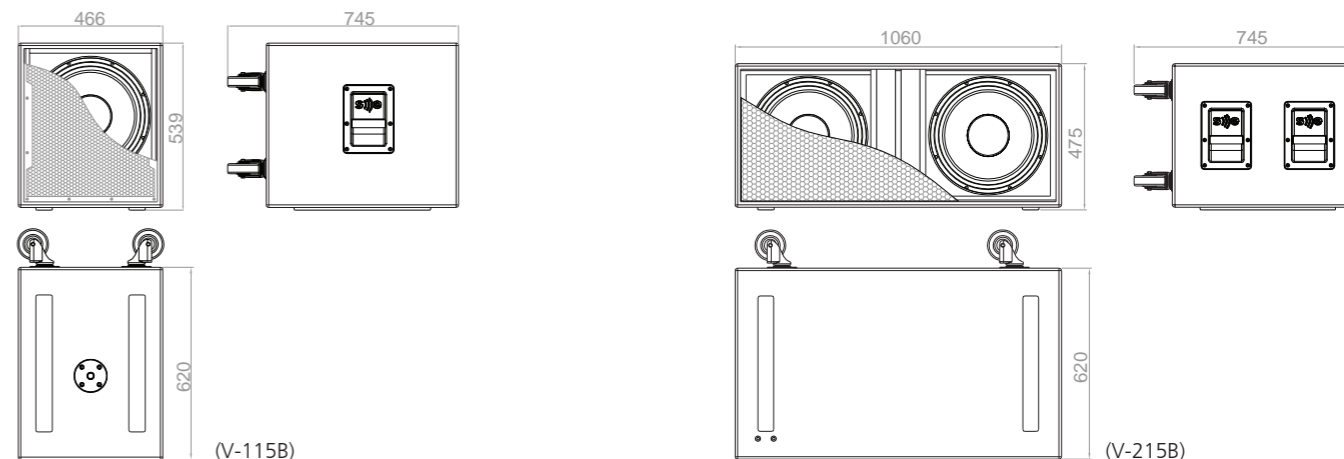


参数规格 Specifications

型号名称: V-115B	Model: V-115B
类型: 单15"倒相式超低音箱	Type: 15" bass reflex subwoofer
频率范围 (-6 dB) : 38 Hz - 200 Hz	Frequency response (-6 dB) : 38 Hz - 200 Hz
功率 (额定 / 峰值) (AES) : 600 W / 2400 W	Power output (RMS / Peak) (AES) : 600 W / 2400 W
灵敏度 (1 W / 1 m) : 96 dB	Sensitivity (1 W / 1 m) : 96 dB
最大声压级 (1 M) : 130 dB	MAX SPL (1 m) : 130 dB
阻抗: 8 Ω	Impedance: 8 Ω
低音单元: 15" 铁氧体单元, 4" 音圈	LF Transducer: 15" ferrite magnet, 4" voice coil
输入接口: 2 x Neutrik NL-4 pins +1 / -1 input / THRU, pins +2 / -2 空接	Input interface: 2x Neutrik NL-4 pins +1 / -1 input / THRU, pins +2 / -2 N.C.
箱体材料 / 喷漆: 18 mm桦木多层板 / 聚脲喷漆	Cabinet material / Coating: 18 mm birch plywood / Polyurea coating
尺寸 (W x H x D) : 466 x 539 x 620 mm	Dimensions (W x H x D) : 466 x 539 x 620 mm
净重: 41.5 kg	Net weight: 41.5 kg
特点: 舒服的提手, M20的铝合金支撑, 可备选运输轮	Features: Ergonomic handles, threaded flange (M20), prepared for transport wheels
可选附件: 见附件页面	Available accessory: See accessories page

型号名称: V-215B	Model: V-215B
类型: 双15"倒相式超低音箱	Type: Dual 15" bass reflex subwoofer
频率范围 (-6 dB) : 35 Hz - 200 Hz	Frequency response (-6 dB) : 35 Hz - 200 Hz
功率 (额定 / 峰值) (AES) : 1200 W / 4800 W	Power handling (RMS / Peak) (AES) : 1200 W / 4800 W
灵敏度 (1 W / 1 m) : 99 dB	Sensitivity (1 W / 1 m) : 99 dB
最大声压级 (1 m) : 136 dB	MAX SPL (1 m) : 136 dB
阻抗: 4 Ω	Impedance: 4 Ω
低音单元: 2 x 15" 铁氧体单元, 4" 音圈	LF Transducer: 2x 15" ferrite magnet, 4" voice coil
输入接口: 2 x Neutrik NL-4 pins +1 / -1 input / THRU, pins +2 / -2 空接	Input interface: 2x Neutrik NL-4 pins +1 / -1 input / THRU, pins +2 / -2 N.C.
箱体材料 / 喷漆: 18 mm桦木多层板 / 聚脲喷漆	Cabinet material / Coating: 18 mm birch plywood / Polyurea coating
尺寸 (W x H x D) : 1060 x 475 x 620 mm	Dimensions (W x H x D) : 1060 x 475 x 620 mm
净重: 79.9 kg	Net weight: 79.9 kg
特点: 舒服的提手,可备选运输轮	Features: Ergonomic handles, prepared for transport wheels
可选附件: 见附件页面	Available accessory: See accessories page

结构图 Structural diagram



V-118B / V-218B

18" Bandpass subwoofer / Dual 18" Bass reflex subwoofer

V-118B 是一款额定功率RMS 800 W声压级SPL为 135 dB的单18"带通式超低音箱，有着极好的低频延伸响应。

V-218B 是一款额定功率RMS 1600 W声压级SPL为 136 dB的双倒相式超低音箱。音箱的工程设计采用了音频回响凝结消除技术CATAR(Clear Audio Time Aligned Response)，它提供了一个杰出的声音再现，具有紧凑充沛结实低音，能与V-LINE和V-ARRAY形成完美的组合扩声体系，在高声压级上都具有极好的频响反应和超清晰的音质再现。设计独特的箱体均由多层桦木板制成并喷聚脲喷漆，满足日常的高强度应用需求和现场演出。

The V-118B is a 18" bandpass subwoofer with 800W RMS and 135 dB Max SPL. The V-218B is a dual 18" bandpass subwoofer with 1600W RMS and 136dB Max SPL. Engineered with CATAR technology (Clear audio time aligned responds) it provides an outstanding sound reproduction. Offering plenty of tight and punchy bass, the V-218B blends beautifully with the V-LINE or V-ARRAY and form an excellent full range response with high SPL and clear sound. The uniquely designed cabinets are all made of multiplex and coated with the Polyurea coating-which helps stand up to the tough daily demands of touring and live applications.

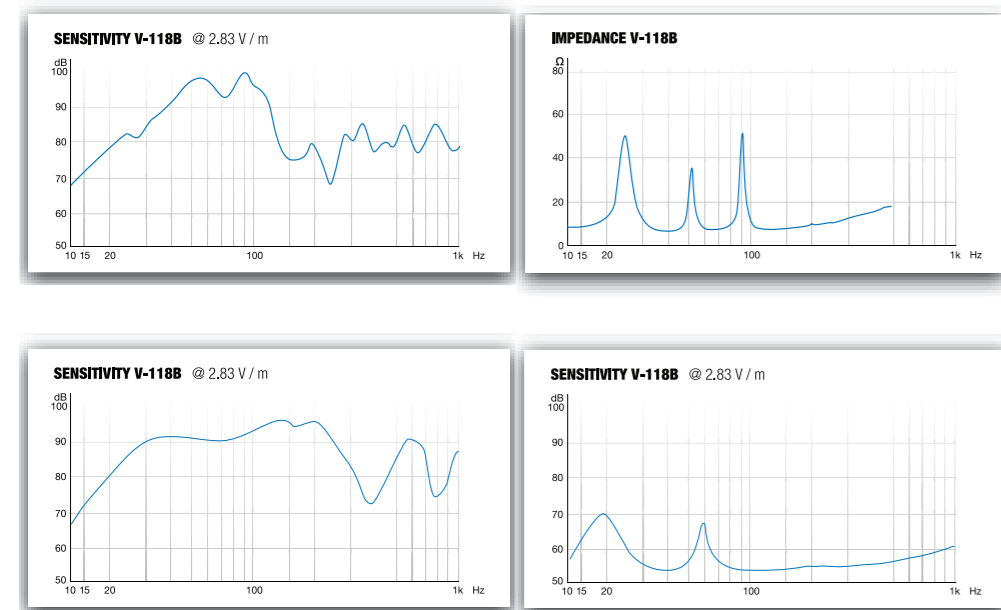


应用领域 Application

剧院，乐队演出，音乐厅，高档会所
多功能厅

- Theater, band performance, concert hall, high-end club
- Multifunctional hall

曲线图 Graph

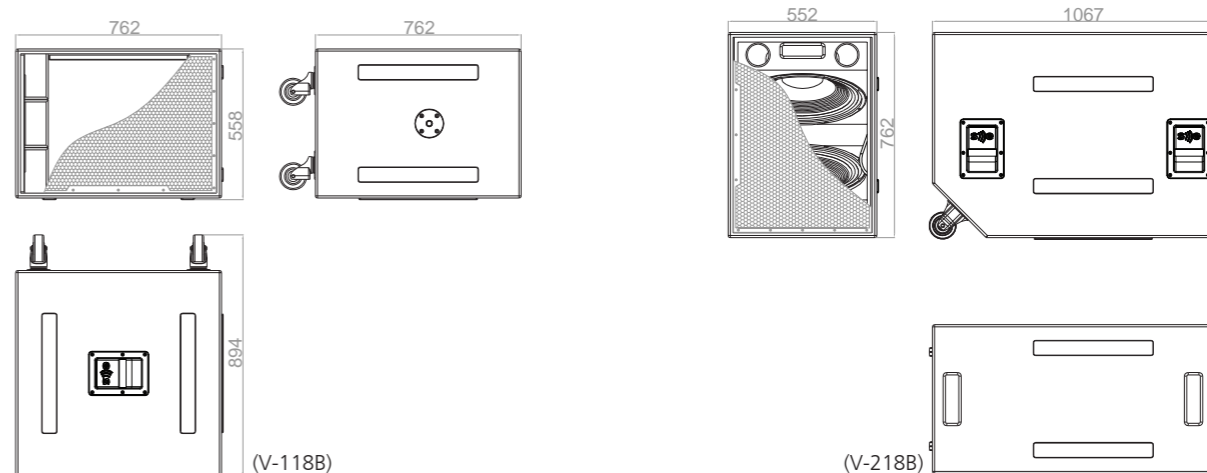


参数规格 Specifications

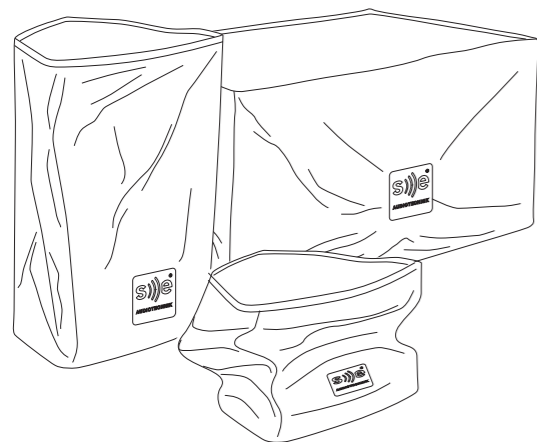
型号名称 : V-118B	Model: V-118B
类型: 单18"带通式超低音箱	Type: 18" bandpass subwoofer
频率范围 (-6 dB) : 36 Hz - 120 Hz	Frequency response (-6 dB) : 36 Hz - 120 Hz
功率 (额定 / 峰值) (AES) : 800 W / 3200 W	Power handling (RMS / Peak) (AES) : 800 W / 3200 W
灵敏度 (1 W / 1 m) : 100 dB	Sensitivity (1 W / 1 m) : 100 dB
最大声压级 (1 m) : 135 dB	MAX SPL (1 m) : 135 dB
阻抗: 8 Ω	Impedance: 8 Ω
低音单元: 18" 铁氧体单元, 4" 音圈	LF Transducer: 18" ferrite magnet, 4" voice coil
输入接口: 2 x Neutrik NL-4 pins +1 / -1 input / THRU, pins +2 / -2 空接	Input interface: 2x Neutrik NL-4 pins +1 / -1 input / THRU, pins +2 / -2 N.C.
箱体材料 / 喷漆: 18 mm桦木多层板 / 聚脲喷漆	Cabinet material / Paint: 18 mm birch plywood / Polyurea coating
尺寸 (W x H x D) : 762 x 558 x 762 mm	Dimensions (W x H x D) : 762 x 558 x 762 mm
净重: 66 kg	Net weight: 66 kg
特点: 舒服的提手, M20的锌合金支撑, 可备选运输轮	Features: Ergonomic handles, threaded flange (M20), prepared for transport wheels
可选附件: 见附件页面	Available accessory: See accessories page

型号名称 : V-218B	Model: V-218B
类型: 双倒相式超低音箱	Type: Dual 18" bass reflex subwoofer
频率范围 (-6 dB) : 38 Hz - 200 Hz	Frequency response (-6 dB) : 38 Hz - 200 Hz
功率 (额定/峰值) (AES) : 1600 W / 6400 W	Power handling (RMS / Peak) (AES) : 1600 W / 6400 W
灵敏度 (1 W / 1 m) : 102 dB	Sensitivity (1 W / 1 m) : 102 dB
最大声压级 (1 m) : 140 dB	MAX SPL (1 m) : 140 dB
阻抗: 4 Ω	Impedance: 4 Ω
低音单元: 2 x 18" 铁氧体单元, 4" 音圈	LF Transducer: 2x18" ferrite magnet, 4" voice coil
输入接口: 2 x Neutrik NL-4 pins +1 / -1 input / THRU, pins +2 / -2 空接	Input interface: 2x Neutrik NL-4 pins +1 / -1 input / THRU, pins +2 / -2 N.C.
箱体材料 / 喷漆: 18 mm桦木多层板 / 聚脲喷漆	Cabinet material / Coating: 18 mm birch plywood / Polyurea coating
尺寸 (W x H x D) : 762 x 552 x 1067 mm	Dimensions (W x H x D) : 762 x 552 x 1067 mm
净重: 86 kg	Net weight: 86 kg
特点: 舒服的提手, 可备选运输轮	Features: Ergonomic handles, prepared for transport wheels
可选附件: 见附件页面	Available accessory: See accessories page

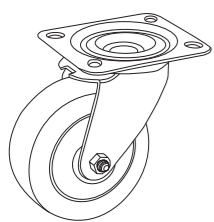
结构图 Structural diagram



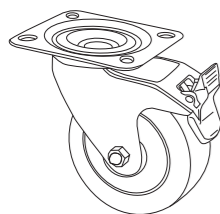
配件说明 Accessories



V-8PC / V-10PC / V-12PC / V-15PC / V-115PC / V-215PC / V-118PC / V-218PC
运输保护布袋
Protection cover



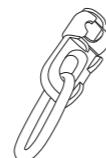
TC-100Z
低音运输脚轮
Transport castors for subwoofers



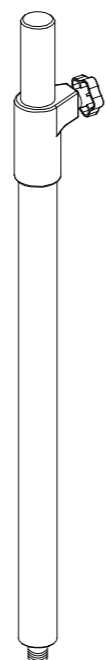
TC-100ZB
低音运输脚轮(带刹车)
Transport castors for subwoofers(with brake)



EB-830
M8×30 羊眼圈
M8×30 Eye Bolt

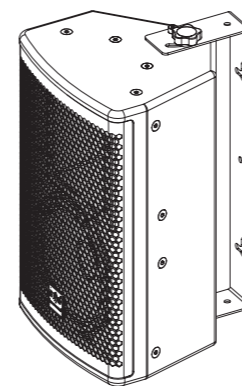


TK-200
双点吊环
Double stud fitting

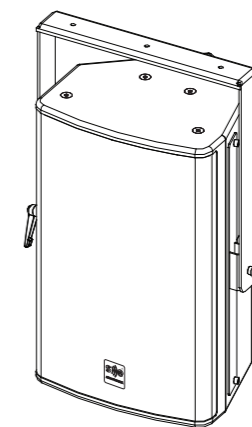


SPS 20
支撑杆
M20 Pole support

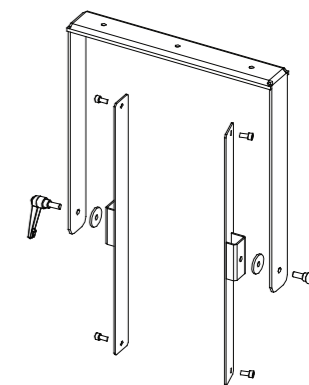
使用说明 Operation Options



V-10WB
V-10 壁挂支架
V-10 Wall Bracket



V-10SB / V-12SB / V-15SB
V-10 / V-12 / V-15 旋转支架
V-10 / V-12 / V-15 Swing Bracket





V-ARRAY

V-ARRAY系列

V-ARRAY线阵系列产品致力于高品质，具有充分的可靠性，在高声压级上也拥有超清晰的音质。

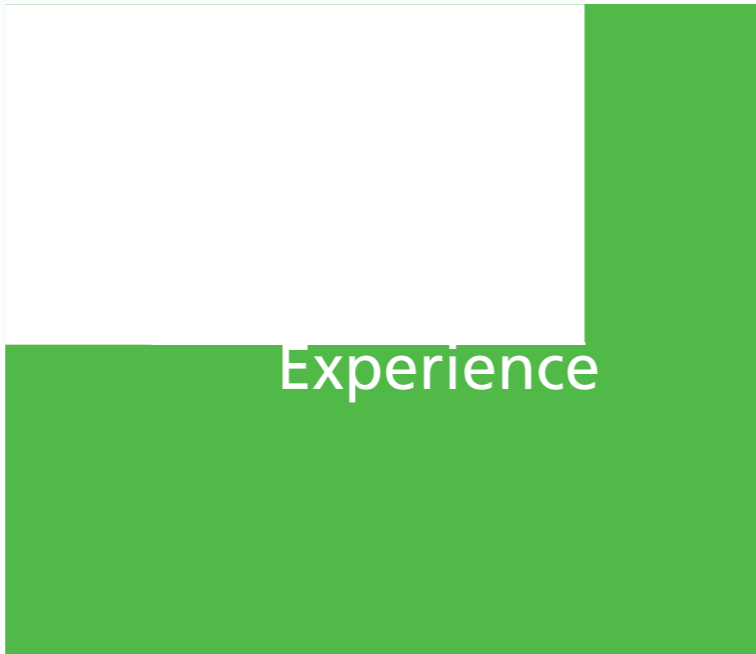
线阵系列产品是由中型尺寸双8" V-L8二分频以及大型双12" V-L12三分频线阵列扬声器系统组成，并由双15"到双18"重低音音箱产品充实整个系列。

V-ARRAY系列采用特制的高品质单元。整个流程均由经验丰富的德国和美国音频工程师和FOH工程师开发研制。吊挂件和堆垛等产品组件易于使用，且满足安全方面的最高要求。

Brilliant sound at high sound pressure levels, high quality components, a reliable service, and all this to a reasonable price-these are the pretensions of the V-Array series.

The V-Array Series consists of the V-L8 double 8" and the V-L12 three-way array system. 2x 15" and 2x 18" subwoofers complement the product line.

The whole range was developed by experienced Audio-developers and FOH engineers in the USA and Germany. The flyware and stacking components are easy to use and meet the highest demands in terms of safety.



Experience

V-L8 / V-LPS215B

Dual 8" two way line array speaker

V-L8是一款双8"可调角度的吊挂线阵，主要为音乐会等音响扩声系统和现场表演而设计，满足从小型到大型室内和室外场地扩声，每只音箱有650W额定操作功率。

V-LPS215B是一个带通式双15" RMS1200W超低音音箱，低音充沛、厚实有力，与V-L8组合，能够形成一个高声压级和清晰的声音以及出色的全频响应范围。

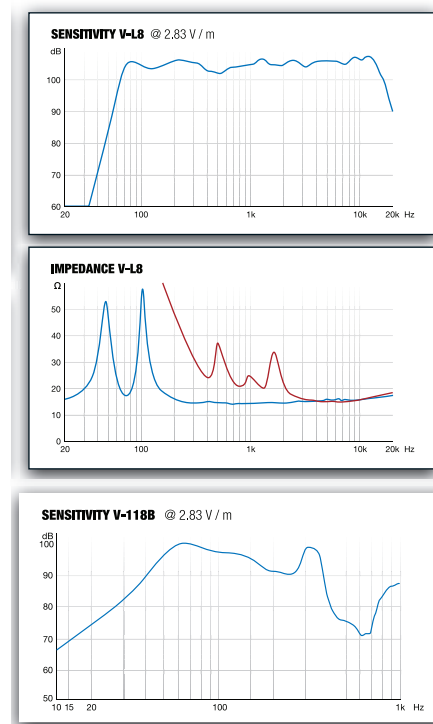
The V-L8 is dual 8" vertical line source concert system with variable curvature, primarily designed for live performances from small to large indoor and outdoor venue. The power handling is 650W RMS each top.

The V-LPS215B is a dual 15", bandpass subwoofer with 1200W RMS. Offering plenty of tight and punchy bass, the V-LPS215B blends beautifully with the V-L8 or V-L4 and form an excellent full range response with high SPL and clear sound.

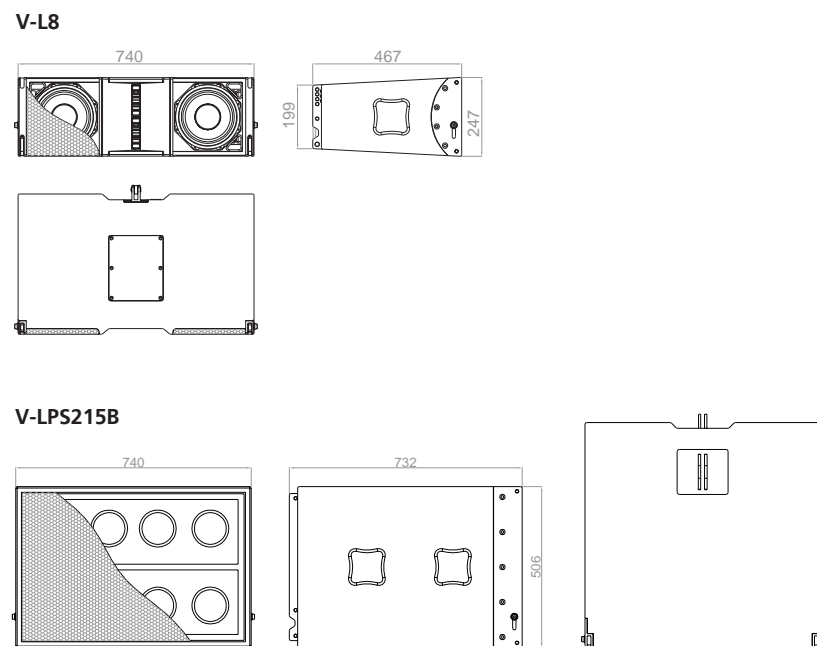
应用领域 Application

大中型演出	Large and medium scale performance
大中型体育场	Large and medium-sized stadium
剧院与礼堂	Theater and auditorium
音乐会，酒吧，俱乐部	Concert, pub, club

曲线图 Graph

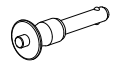


结构图 Structural diagram



参数规格 Specifications

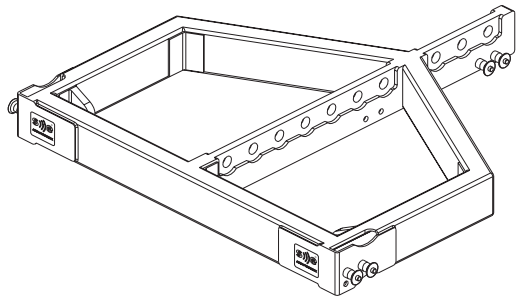
型号名称: V-L8	Model: V-L8
类型: 双8"二分频线阵扬声器	Type: Dual 8" two way line array speaker
声学参数	Acoustical specifications
频响范围 (-6 dB): 70Hz - 19 kHz	Frequency range (-6 dB): 70Hz - 19 kHz
最大声压级 (1 m): 136 dB	Max. SPL (1 m): 136 dB
水平指向角 (-6 dB): 100°	Horizontal Dispersion (-6 dB): 100°
垂直指向角 (-6 dB): 10° × 1, 1°可调	Vertical Dispersion (-6 dB): 10° × 1, adjustable to 1°
最大吊挂数量 (12倍安全系数, 使用s e原厂附件) 24 pcs	Max Qty of rigging (12: 1 Safety factor, using s e original accessories): 24 pcs
功率: 低音: RMS / Peak (AES): 500 W / 2000 W	Power: LF: RMS / Peak (AES): 500 W / 2000 W
高音: RMS / Peak (AES): 150 W / 600 W	HF: RMS / Peak (AES): 150 W / 600 W
扬声器单元	Transducer
低音: 2× 8" 钕磁单元, 2" 音圈	LF: 2× 8" neodymium magnet, 2" voice coil
1× 16 Ω (2个8 Ω串联)	1× 16 Ω (2 pcs of 8 Ω in series connection)
2× 250 W RMS (AES / 2 hrs)	2× 250 W RMS (AES / 2 hrs)
灵敏度 (1 W / 1 m): 103 dB	Sensitivity (1 W / 1 m): 103 dB
最大声压级 (AES): 136 dB	Max. SPL (AES): 136 dB
高音: 2× 1" 钕磁钛膜压缩单元, 1.35" 音圈	HF: 2× 1" neodymium magnet, Titanium diaphragm, 1.35" voice coil
1× 16 Ω (2个8 Ω串联)	1× 16 Ω (2 pcs of 8 Ω in series connection)
2× 75 W RMS (AES / 2 hrs)	2× 75 W RMS (AES / 2 hrs)
灵敏度 (1 W / 1 m): 108 dB	Sensitivity (1 W / 1 m): 108 dB
最大声压级 (AES): 136 dB	Max. SPL (AES): 136 dB
推荐功放: 4只V-L8为一组	Recommended amplifier: 4 pcs of V-L8 as a set
低音: 2× 1200 W / 8 Ω, 双通道	LF: 2× 1200 W / 8 Ω, Dual channel
高音: 2× 800 W / 8 Ω, 双通道	HF: 2× 800 W / 8 Ω, Dual channel
推荐分频点	Recommended Crossover Frequency
低音 / 高音: 1.6 kHz	LF / HF: 1.6 kHz
箱体	Enclosure
18 mm桦木多层板,箱体外表面聚脲喷漆	18 mm birch plywood, polyurethane coating
吊挂系统	Rigging system
6061铝型材, SUS 630不锈钢插销,12倍安全系数	6061 Aluminium, SUS 630 stainless steel safety pin, 12: 1 safety factor
输入接口	Input Interface
Neutrik®Speakon 2 × NL-4	Neutrik®Speakon 2 × NL-4
pins +1 / -1 低音	pins +1 / -1 LF
pins +2 / -2 高音	pins +2 / -2 HF
尺寸 (W × H × D): 740 x 247 x 467 mm	Dimensions (W × H × D): 740 x 247 x 467 mm
净重: 27.5 kg	Net weight: 27.5 kg
型号名称: V-LPS215B	Model: V-LPS215B
类型: 双15"带通式超低音音箱	Type: Dual 15" bandpass subwoofer
声学参数	Acoustical specifications
频响范围 (-6 dB): 34 Hz - 150 Hz	Frequency range (-6 dB): 34 Hz - 150 Hz
最大声压级 (1 m): 136 dB	Max. SPL (1 m): 136 dB
功率: RMS / Peak(AES): 1200 W / 4800 W	Power: RMS / Peak(AES): 1200 W / 4800 W
扬声器单元	Transducer
低音: 2× 15" 低音, 4" 音圈	LF: 2× 15", 4" voice coil
1× 4 Ω (2个8 Ω并联)	1× 4 Ω (2 pcs of 8 Ω in parallel connection)
2× 600 W RMS (AES / 2 hrs)	2× 600 W RMS (AES / 2 hrs)
灵敏度 (1 W / 1 m): 99 dB	Sensitivity (1 W / 1 m): 99 dB
最大声压级 (AES): 136 dB	Max. SPL (AES): 136 dB
箱体	Enclosure
18 mm桦木多层板,箱体外表面聚脲喷漆	18 mm birch plywood, polyurethane coating
吊挂系统	Rigging system
6061铝型材 不锈钢插销, 12倍安全系数	6061 Aluminium, SUS 630 stainless steel safety pin, 12: 1 safety factor
输入接口	Input interface
Neutrik®Speakon 2 × NL-4	Neutrik®Speakon 2 × NL-4
pins +1 / -1 低音	pins +1 / -1 LF
pins +2 / -2 空接	pins +2 / -2 N.C.
尺寸 (W × H × D): 740 × 506 × 732 mm	Dimensions (W × H × D): 740 × 506 × 732 mm
净重: 81.5 kg	Net Weight: 81.5 kg
可选附件: 见附件页面	Available accessory: See accessories page

V-L8 配件说明 Accessories


CX1028 SP
CX1028 安全插销
CX1028 Safety pin



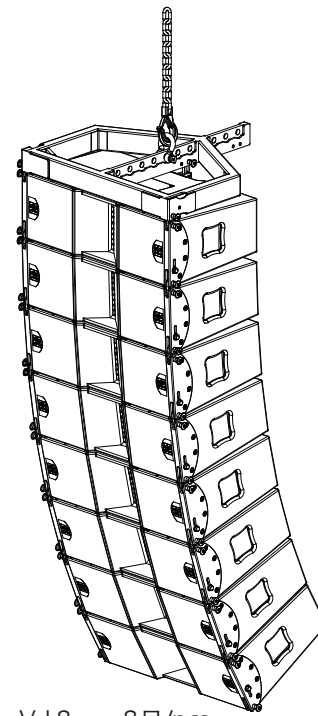
SK-075
3/4"卸扣
3/4"Shackle



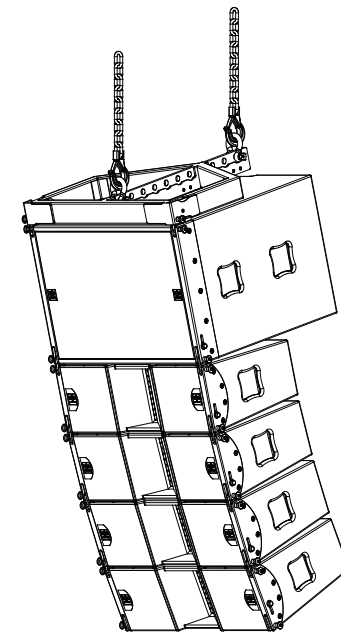
V-L8BF
V-L12 吊架
V-L12 Bumper frame



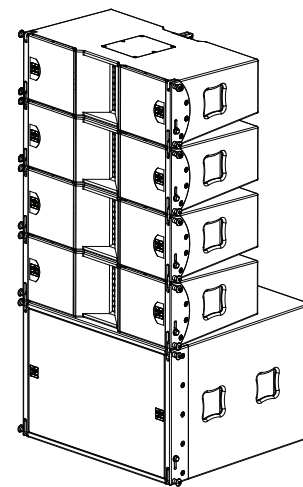
V-L8FC
V-L8 航空箱(4只V-L8)
V-L8 Flightcase(V-L8 4pc)

V-L8 使用说明 Operation Options


V-L8 8只/pcs
V-L8BF 1副/pc
带有V-L8BF吊架的V-L8线性阵列
V-L8 line array system with V-L8BF



V-L8 4只/pcs
V-LPS215B 1只/pc
V-L8BF 1副/pc
带有V-L8BF吊架与V-LPS215低音的V-L8
线性超低音阵列
V-L8 Line array system with V-L8BF and
V-LPS215 subwoofer



V-L8 4只/pcs
V-LPS215B 1只/pc
V-LPS215B低音与V-L8的全频落地安装系统
Full range ground installation system with V-LPS215B subwoofer and V-L8



MA -LINE

MA 2000 系列功率放大器，采用德国技术，完善的DDT压缩保护系统，双温度控制过热保护功能；带软启动开关启动瞬变保护，静音开关保护，在开启时过热，直流，短路，功率过载保护。该系列功放在外观设计，内部结构，电路设计，表现力等方面经过多次优化，音色分析力及表现力均十分出众，是一款集户内外演出全方位应用的大功率，多功能，高质量，稳定性，可靠性于一体的专业功率放大器。

MA-2000 series power amplifiers are equipped with DDT compression and double overheating protection system by adopting German technology. Each amplifier comes with a mute switch protection and also a startup protection for overheating/DC/short circuit overloading. The internal structure and circuit design have been optimized to provide extraordinary signal quality. Being multifunctional high-power amplifiers that can output high-quality signals on a steady and reliable basis, the MA-2000 series can be regarded as pro power amplifiers.



The Sound Experience

MA 2000

Dual-channel pro power amplifier

MA 2000 系列功率放大器，采用德国技术，完善的DDT压缩保护系统，双温度控制过热保护功能;带软启动开关启动瞬变保护，静音开关保护，在开启时过热，直流，短路，功率过载保护。该系列功放在外外观设计，内部结构，电路设计，表现力等方面经过多次优化，音色分析及表现力均十分出众，是一款集户内外演出全方位应用的大功率，多功能，高质量，稳定性，可靠性于一体的AB及H类专业功率放大器。

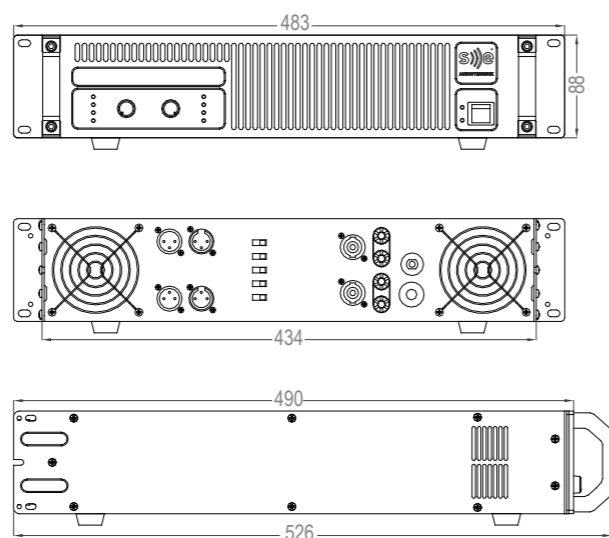
MA-2000 series power amplifiers are equipped with DDT compression and double overheating protection system by adopting German technology. Each amplifier comes with a mute switch protection and also a startup protection for overheating/DC/short circuit/overloading. The internal structure and circuit design have been optimized to provide extraordinary signal quality. Being multifunctional high-power amplifiers that can output high-quality signals on a steady and reliable basis, the MA-2000 series can be regarded as class AB and H pro power amplifiers.



应用领域 Application

- 娱乐会所 KTV
- 会议室 Conference room
- 多功能厅 Multifunctional hall

结构图 Structural diagram



参数规格 Specification

型号名称:	MA 2300	MA 2400	MA 2600	MA 2800	MA 21200
功放类型:	Class AB	Class AB	Class H	Class H	Class H
输出功率1 kHz, < 0.05%THD:					
8 Ω:	2x 300 W	2x 400 W	2x 600 W	2x 800 W	2 x 1200W
4 Ω:	2x 450 W	2x 600 W	2x 900 W	2x 1200 W	2 x 1800W
2 Ω:	--	2x 800 W	2x 1100 W	2x 1400 W	2 x 2400W
16 Ω 桥接:	--	--	--	--	2400W
8 Ω 桥接:	700 W	1000 W	1800 W	2000 W	3600W
4 Ω 桥接:	--	1200 W	2000 W	2400 W	4800W
频率范围(功率带宽+/- 0.1 dB):	20 Hz-20 kHz	20 Hz-20 kHz	20 Hz-20 kHz	20 Hz-20 kHz	20Hz-20 kHz
相位响应(@ 1W20 Hz - 20 kHz):	+ 15度	+ 15度	+ 15度	+ 15度	+ 15度
总谐波失真1 kHz(20 Hz - 20 kHz):	≤ 0.05%	≤ 0.05%	≤ 0.05%	≤ 0.05%	≤ 0.03%
互调失真 (SMPTE):	≤ 0.05%	≤ 0.05%	≤ 0.05%	≤ 0.05%	≤ 0.01%
阻尼系数(20 Hz - 500 Hz@ 8 Ω):	400:1	450:1	500:1	550:1	650:1
串扰(20 Hz - 20 kHz):	>75 dB	>75 dB	>75 dB	>75 dB	>75 dB
增益 (可选):	26 / 29 / 32 dB	26 / 29 / 32 dB	26 / 29 / 32 dB	26 / 29 / 32 dB	26 / 29 / 32 dB
灵敏度:	0.775 / 1.0 / 1.55 V	0.775 / 1.0 / 1.55 V	0.775 / 1.0 / 1.55 V	0.775 / 1.0 / 1.55 V	0.775 / 1.0 / 1.44 V
信噪比:	103 dB	105 dB	105 dB	106 dB	106 dB
尺寸 (W x H x D):	483 x 88 x 420 mm	483 x 88 x 420 mm	483 x 88 x 490 mm	483 x 88 x 490 mm	483 x 133 x 500 mm
重量 (kg):	17 kg	18 kg	23 kg	25 kg	40 kg

Model name:	MA 2300	MA 2400	MA 2600	MA 2800	MA 21200
Amplifier type:	Class AB	Class AB	Class H	Class H	Class H
Output power 1 kHz, < 0.05%THD:					
8 Ω:	2x 300 W	2x 400 W	2x 600 W	2x 800 W	2x 1200 W
4 Ω:	2x 450 W	2x 600 W	2x 900 W	2x 1200 W	2x 1800 W
2 Ω:	Inapplicable	2x 800 W	2x 1100 W	2x 1400 W	2x 2400 W
16 Ω bridge:	Inapplicable	Inapplicable	Inapplicable	Inapplicable	2400 W
8 Ω bridge:	700 W	1000 W	1800 W	2000 W	3600 W
4 Ω bridge:	Inapplicable	1200 W	2000 W	2400 W	4800 W
Frequency response(+/- 0.1dB):	20 Hz-20 kHz	20 Hz-20 kHz	20 Hz-20 kHz	20 Hz-20 kHz	20 Hz-20 kHz
Reflex response(@ 1W20 Hz-20 kHz):	+ 15°	+ 15°	+ 15°	+ 15°	+ 15°
THD 1 kHz(20 Hz-20 kHz):	≤ 0.05%	≤ 0.05%	≤ 0.05%	≤ 0.05%	≤ 0.03%
IMD (SMPTE):	≤ 0.05%	≤ 0.05%	≤ 0.05%	≤ 0.05%	≤ 0.01%
Damping factor(20 Hz-500 Hz@ 8Ω):	400:1	450:1	500:1	550:1	650:1
Crosstalk(20 Hz-20 kHz):	>75 dB	>75 dB	>75 dB	>75 dB	>75 dB
Gain (optional):	26 / 29 / 32 dB	26 / 29 / 32 dB	26 / 29 / 32 dB	26 / 29 / 32 dB	26 / 29 / 32 dB
Sensitivity:	0.775 / 1.0 / 1.55 V	0.775 / 1.0 / 1.55 V	0.775 / 1.0 / 1.55 V	0.775 / 1.0 / 1.55 V	0.775 / 1.0 / 1.44 V
Signal to noise ratio:	103 dB	105 dB	105 dB	106 dB	106 dB
Dimensions (W x H x D):	483 x 88 x 420 mm	483 x 88 x 420 mm	483 x 88 x 490 mm	483 x 88 x 490 mm	483 x 133 x 500 mm
Net weight (kg):	17 kg	18 kg	23 kg	25 kg	40 kg

