



se 2020/01 2000

Hotline: +86 400 109 1122

Fax: +86 573 8911 9916

Website: [www.se-audiotechnik.com](http://www.se-audiotechnik.com)

# ENTERTAINMENT SERIES

## 娱乐音响工程系列

授权的当地代理 Your authorized local dealer:



**s)))e AUDIOTECHNIK**

品牌属于德国斯贝克公司，彩页内容仅供参考，本公司保留更改权利。若有更改，恕不另行通知。  
is a brand of Speaker Electronic Co.,Ltd.The company reserves the right to alter the designs and material specifications of products shown in this publication without notice.

德匠精工 响撼全球



美高微信



美高官网



## s|||e AUDIOTECHNIK 品牌历史

1980年，SE创始人Michael von Keitz先生在德国佐林根创立了“MIVOC”（SE的前身）这一音响品牌。90年代伊始，该品牌部分家用产品引入中国内地，被消费者们亲切地称为“美高音响”。1997年，SE中国工厂诞生。经过14年的积累和沉淀，2011年SE品牌正式进入中国市场，成为紧凑型、无号角、高保真有源线阵列的开创者。融合德国总部专业严谨的工程质量标准，以及中国团队的高效和勤奋，SE品牌为专业用户提供了结构紧凑、性能卓越、智能便捷的音响系统，降低了用户的运营成本，提升了听觉享受。

## s|||e AUDIOTECHNIK Corporate History

In 1980, the founder of SE, Michael von Keitz, established the audio brand "MIVOC" (later became "SE Audiotechnik") in Solingen, Germany. At the beginning of the 1990s, some of its household products were introduced into China and were affectionately known to consumers as "Meigao" (Chinese name for "MIVOC"). In 1997, SE China manufacturing base was founded. After 14 years of accumulation and development, SE Audiotechnik officially entered the Chinese market in 2011 with brand new image, becoming the pioneer of compact, hornless and high SPL active line arrays. Combining the professional and rigorous engineering quality standards of the German headquarters with the efficiency and diligence of the Chinese team, SE provides professional users with compact and high-performance audio systems, which reduces the operating cost of users and improves their acoustic experience.



## Index:

04   11	CV-LINE
06   09	CV-10i / CV-15i / CV-12i
10   11	CV-118BG2 / CV-218BG2
12   17	K-LINE
14   15	K-10i / K-12i / K-15i
16   17	K-18B
18   19	M-12AB

# CV -LINE

CV-LINE娱乐固定安装系列产品致力于专业的娱乐KTV、酒吧设计，具有动态大、声音高、音质清晰、人声突出、覆盖角宽等特性。既可轻松唱出来，又有高音保护系统，保证产品稳定安全可靠运行。

音箱箱体采用精选多层板与独特的单元做结构优化，箱体表面喷涂了耐磨特性的PU黑色撒点漆。该系列音箱配置了18个M8吊挂点，完全满足多角度的工程固定安装需求，同时，可旋转号筒能使音箱在横向竖向安装时作完美切换，极大地满足多种使用方式和各种扩声应用场所。

CV-LINE is designed for fixed installations in KTV and Bars. It features high quality components, a wide dynamic range, high SPL and extended frequency response. It is perfectly reliable for sound reinforcement of small-sized and for zoned sound reinforcement of large sized speaker systems.

The uniquely designed cabinets are made of selected multiplex and have been coated with resistant water-soluble spot painting in black. Equipped with 18 pcs of M8 rigging points and a rotatable horn, a flexible switch in both horizontal and vertical direction can be realised to meet the demands of multifunctional and sound reinforcement applications.



The Sound Experience

# CV-10i/CV-12i / CV-15i

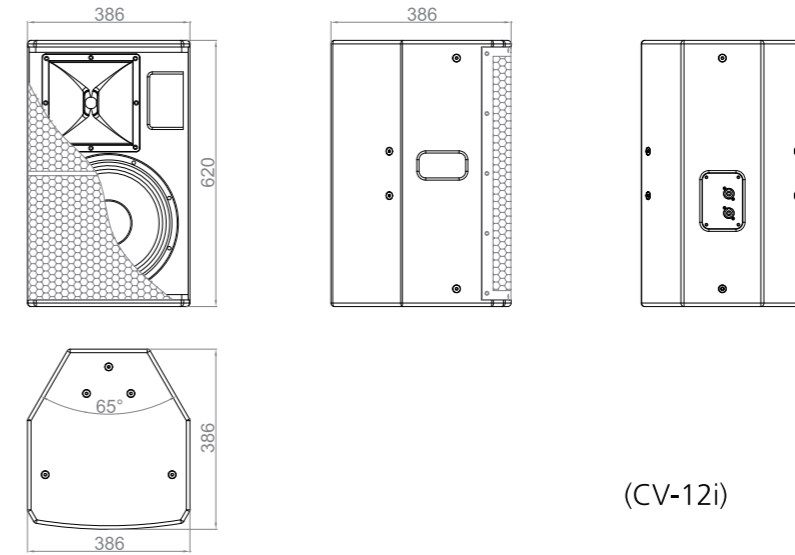
Two way passive full range loudspeaker

CV-10i是250W的二分频全频音箱。  
CV-12i是375W的二分频全频音箱。  
CV-15i是450W的二分频全频音箱。  
18个M8吊挂点能完全满足工程应用中的各种安装需求。

CV-10i is a two way full range loudspeaker with 250W RMS power handling.  
The CV-12i is a two way full range loudspeaker with 375W RMS power handling.  
The CV-15i is a two way full range loudspeaker with 450W RMS power handling.  
18 pcs of M8 rigging points help to meet various requirements of fixed installation.



## ))) 结构图 Structural diagram

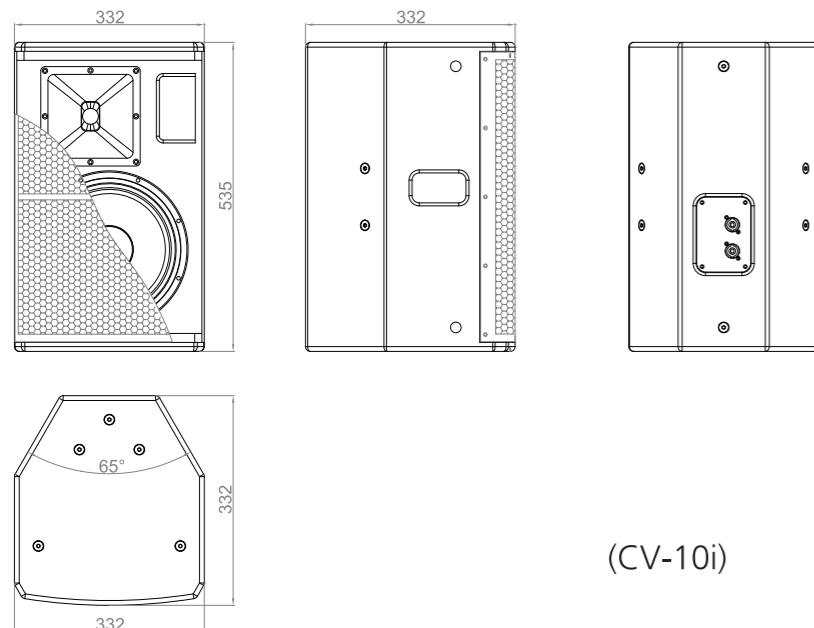


(CV-12i)

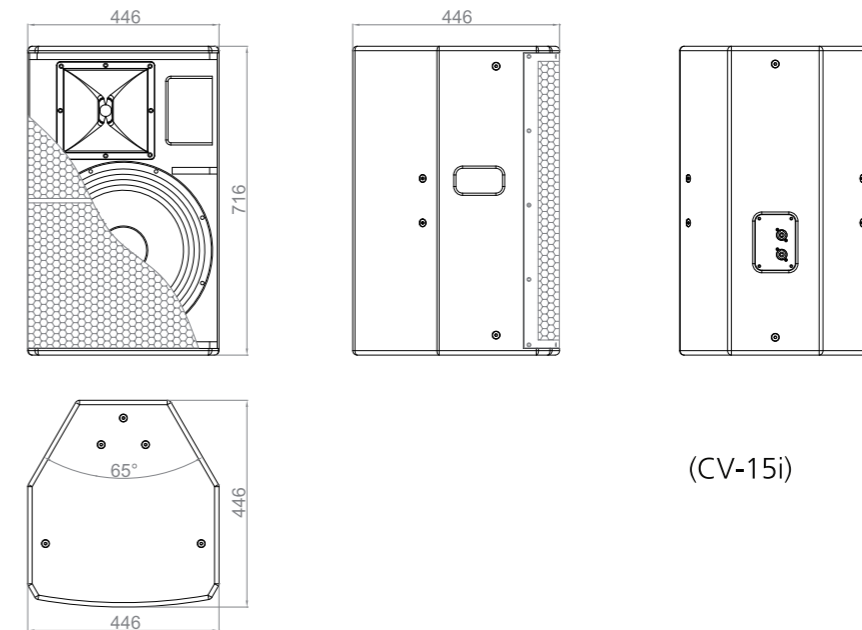
## ))) 应用领域 Application

- 娱乐会所, 酒吧, 夜场 KTV, Pub, Night club
- 多功能厅 Multifunctional hall
- 会议室, 礼堂 Conference room, Auditorium

## ))) 结构图 Structural diagram



(CV-10i)



(CV-15i)

### ))) 参数规格 Specifications

型号名称: <b>CV-10i</b>	Model: <b>CV-10i</b>
类型: 10" 无源二分频全频音箱	Type: 10" two way passive full range loudspeaker
频率范围 (-6 dB) : 60 Hz - 19 kHz	Frequency response ( -6 dB ) : 60 Hz - 19 kHz
功率 (额定/峰值) (AES) : 250 W / 1000 W	Power handling ( RMS / Peak ) ( AES ) : 250 W / 1000 W
灵敏度 (1 W / 1 m) : 95 dB	Sensitivity ( 1 W / 1 m ) : 95 dB
最大声压级 (1 m) : 125 dB	MAX SPL ( 1 m ) : 125 dB
阻抗: 8 Ω	Impedance: 8 Ω
指向角度 (水平×垂直) : 90° × 60°, 号角可以旋转	Dispersion ( H × V ) : 90° × 60°, HF-horn rotatable
低音单元: 10" 铁氧体单元, 2.5" 音圈	LF Transducer: 10", ferrite magnet, 2.5" voice coil
高音单元: 1" 铁氧体压缩单元, 1.75" 音圈	HF Transducer: 1", ferrite magnet compression unit, 1.75" voice coil
保护: 高音保护	Protection: Tweeter Protection
输入接口: 2 × Neutrik NL-4 pins +1 / -1 input / THRU, pins +2 / -2 空接	Input interface: 2 × Neutrik NL-4 pins +1 / -1 input / THRU, pins +2 / -2 N.C.
吊挂系统: 18个M8吊挂点	Rigging system: 18× M8 Rigging point
箱体材料/喷漆: 15 mm精选多层板 / 聚脲漆	Cabinet material / Coating: 15 mm selected plywood / Polyurea coating
尺寸 (W × H × D) : 332 × 535 × 332 mm	Dimensions ( W × H × D ) : 332 × 535 × 332 mm
净重: 13.5 kg	Net weight: 13.5 kg

型号名称: <b>CV-12i</b>	Model: <b>CV-12i</b>
类型: 12" 无源二分频全频音箱	Type: 12" two way passive full range loudspeaker
频率范围(-6 dB): 55 Hz-19 kHz	Frequency response (-6 dB): 55 Hz-19 kHz
功率(额定 / 峰值) (AES): 375 W / 1500 W	Power handling (RMS / Peak) (AES): 375 W / 1500 W
灵敏度(1 W / 1 m): 97 dB	Sensitivity (1 W / 1 m): 97 dB
最大声压级(1 m): 129 dB	MAX SPL (1 m): 129 dB
阻抗: 8 Ω	Impedance: 8 Ω
指向角度 (H × V): 90° × 60°, 号角可以旋转	Dispersion (H × V): 90° × 60°, HF-horn rotatable
低音单元: 12" 铁氧体单元, 3" 音圈	LF Transducer: 12", ferrite magnet, 3" voice coil
高音单元: 1" 铁氧体压缩单元, 1.75" 音圈	HF Transducer: 1" ferrite compression unit, 1.75" voice coil
保护: 高音保护	Protection: Tweeter protection
输入 / 输出接口: 2 × Neutrik NL-4 pins +1 / -1 input / THRU, pins +2 / -2 空接	Input / Output interface: 2× Neutrik NL-4 pins +1 / -1 input / THRU, pins +2 / -2 N.C.
吊挂系统 : 18个M8吊挂点	Rigging System: 18× M8 Rigging point
箱体材料 / 喷漆: 15 mm精选多层板 / 聚脲漆	Cabinet Material / Coating: 15 mm Selected plywood / Polyurea coating
尺寸(W × H × D): 386 × 620 × 386 mm	Dimensions (W × H × D): 386 × 620 × 386 mm
净重: 19.5 kg	Net Weight: 19.5 kg

### ))) 参数规格 Specification

型号名称: <b>CV-15i</b>	Model: <b>CV-15i</b>
类型: 15" 无源二分频全频音箱	Type: 15" two way passive full range loudspeaker
频率范围 (-6 dB) : 45 Hz - 19 kHz	Frequency response ( -6 dB ) : 45 Hz - 19 kHz
功率 (额定 / 峰值) (AES) : 450 W / 1800 W	Power handling ( RMS / Peak ) ( AES ) : 450 W / 1800 W
灵敏度 (1 W / 1 m) : 98 dB	Sensitivity ( 1 W / 1 m ) : 98 dB
最大声压级 (1 m) : 131 dB	MAX SPL ( 1 m ) : 131 dB
阻抗: 8 Ω	Impedance: 8 Ω
指向角度 (水平×垂直) : 90° × 60°, 号角可以旋转	Dispersion ( H × V ) : 90° × 60°, HF-horn rotatable
低音单元: 15" 铁氧体单元, 3" 音圈	LF Transducer: 15", ferrite magnet, 3" voice coil
高音单元: 1" 铁氧体单元, 1.75" 音圈	HF Transducer: 1", ferrite magnet, 1.75" voice coil
保护: 高音保护	Protection: Tweeter protection
输入接口: 2× Neutrik NL-4 pins +1 / -1 input / THRU, pins +2 / -2 空接	Input interface: 2× Neutrik NL-4 pins +1 / -1 input / THRU, pins +2 / -2 N.C.
吊挂系统: 18个M8吊挂点	Rigging system: 18× M8 Rigging point
箱体材料/喷漆: 15 mm精选多层板 / 聚脲漆	Cabinet material / Coating: 15 mm selected plywood / Polyurea coating
尺寸 (W × H × D) : 446 × 716 × 446 mm	Dimensions ( W × H × D ) : 446 × 716 × 446 mm
净重: 25 kg	Net weight: 25 kg

# CV-118BG2 / CV-218BG2

Single/Dual 18" bandpass/Bass reflex subwoofer

CV-118BG2是单18" 850W带通式超低音箱。  
CV-218BG2是双18" 1700W倒相式超低音箱。  
两款超低能完美的匹配CV系列和K系列的全频箱。定制开发的大功率18"单元，配套精选的多层板箱体和高强度钢网，低频干净扎实而有弹性。

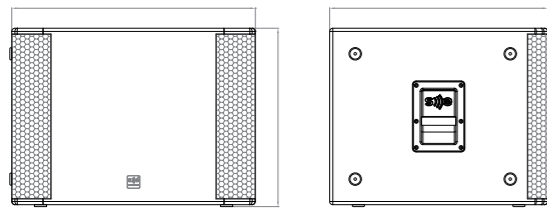
The CV-118BG2 is a single 18" bandpass subwoofer with 850W RMS power handling.  
CV-218BG2 is a dual 18" bass reflex subwoofer with 1700W RMS power handling.  
Each subwoofer can be perfectly blended with full range loudspeakers of both CV- and K-series. With custom-developed high power 18" transducers, selected plywood cabinets and substantial grilles, they are able to produce clean but powerful bass.



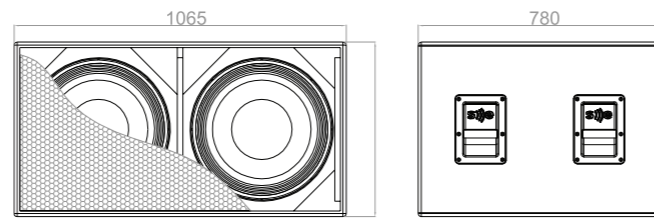
## 应用领域 Application

- 娱乐会所，酒吧，夜场 KTV, pub, Night club
- 多功能厅 Multifunctional hall
- 乐队演出 Band performance

## 结构图 Structural diagram



(CV-118BG2)



(CV-218BG2)

## 参数规格 Specifications

型号名称: <b>CV-118BG2</b>	<b>Model: CV-118BG2</b>
类型: 单18"带通式超低音箱	Type: 18" bandpass subwoofer
频率范围 (-6 dB) : 40 Hz - 200 Hz	Frequency response (-6 dB) : 40 Hz - 200 Hz
功率 (额定 / 峰值) : (IEC) 600 W / 2400 W (AES) 850 W / 3400 W	Power handling (RMS / Peak) : (IEC) 600 W / 2400 W (AES) 850 W / 3400 W
灵敏度 (1 W / 1 m) : 99 dB	Sensitivity (1 W / 1 m) : 99 dB
最大声压级 (1 m) : 134 dB	MAX SPL (1 m) : 134 dB
阻抗: 8 Ω	Impedance: 8 Ω
低音单元: 18"铁氧体单元, 4"音圈	LF Transducer: 18", ferrite magnet, 4" voice coil
输入接口: 2 × Neutrik NL-4 pins +1 / -1 input / THRU pins +2 / -2 空接	Input interface: 2x Neutrik NL-4 pins +1 / -1 input / THRU pins +2 / -2 N.C.
箱体材料/喷漆: 18 mm精选多层板 / 聚脲漆	Cabinet material / Coating: 18 mm selected plywood / Polyurea coating
尺寸 (W × H × D) : 762 × 558 × 682 mm	Dimensions (W × H × D) : 762 × 558 × 682 mm
净重: 62 kg	Net weight: 62 kg
可选附件: 见附件页面	Available accessory: See accessories page

型号名称: <b>CV-218BG2</b>	<b>Model: CV-218BG2</b>
类型: 双18"倒相式超低音箱	Type: Dual 18" bass reflex subwoofer
频率范围 (-6 dB) : 35 Hz - 200 Hz	Frequency response (-6dB) : 35 Hz - 200 Hz
功率 (额定 / 峰值) : (IEC) 1200W / 4800 W (AES) 1700 W / 6800 W	Power handling (RMS/Peak) : (IEC) 1200 W / 4800 W (AES) 1700 W / 6800 W
灵敏度 (1 W / 1 m) : 102 dB	Sensitivity (1 W / 1 m) : 102 dB
最大声压级 (1 m) : 140 dB	MAX SPL (1 m) : 140 dB
阻抗: 4 Ω	Impedance: 4 Ω
低音单元: 2 × 18"铁氧体单元, 4"音圈	LF Transducer: 2x 18", ferrite magnet, 4" voice coil
输入接口: 2 × Neutrik NL-4 pins +1 / -1 input / THRU pins +2 / -2 空接	Input interface: 2x Neutrik NL-4 pins +1 / -1 input / THRU pins +2 / -2 N.C.
箱体材料/喷漆: 18 mm精选多层板 / 聚脲漆	Cabinet material / Coating: 18 mm selected plywood / Polyurea coating
尺寸 (W × H × D) : 1065 × 560 × 780 mm	Dimensions (W × H × D) : 1065 × 560 × 780 mm
净重: 90 kg	Net weight: 90 kg



# K -LINE

K系列二分频全频音箱音质清晰，穿透力强。适用于KTV，厅堂等各种固定安装的室内扩声场合。50-100°×55° 恒指向非对称可旋转的压缩号筒使它既能垂直安装也能水平安装，平滑的频率响应和精确的分频确保产品具有卓越的音质效果。二分频全频音箱与15寸有源和18寸无源的超低音音箱搭配，对于各种风格的音乐有着更理想的表现力。

With crystal clear sound penetration, K-series two way full range loudspeakers can be used for indoor sound reinforcement of KTVs, conference rooms or other venues of similar size. The 50 -100°×55° constant directional unsymmetric rotary compression horn enables both vertical and horizontal installations of the speaker boxes. Flat frequency response together with accurate crossover guarantees excellent sound effect. Blended with 15" active or 18" passive sub-woofers, the two way full range loudspeakers are able to produce different styles of music perfectly.



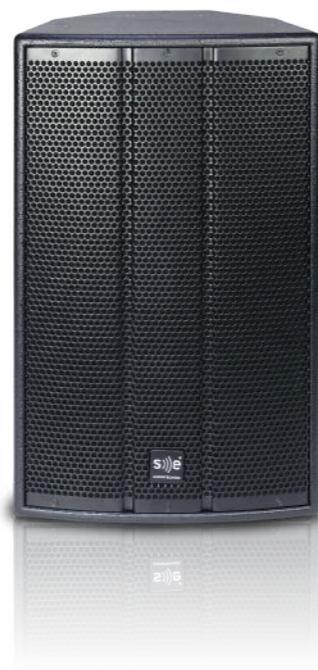
The Sound Experience

# K-10i / K-12i / K-15i

Two way passive full range loudspeaker

K系列二分频全频音箱音质清晰，穿透力强。适用于KTV，厅堂等各种固定安装的室内扩声场合。50-100°×55°恒指向非对称可旋转的压缩号筒使它既能垂直安装也能水平安装，平滑的频率响应和精确的分频确保产品具有卓越的音质效果。二分频全频音箱与15寸有源和18寸无源的超低音音箱搭配，对于各种风格的音乐有着更理想的表现力。

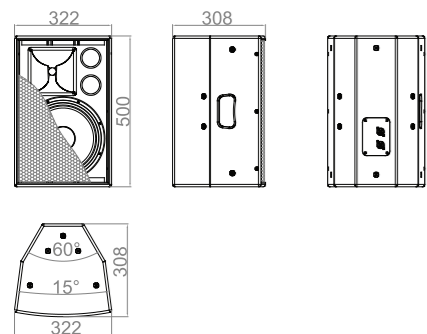
With crystal clear sound penetration, K-series two way full range loudspeakers can be used for indoor sound reinforcement for KTVs, conference rooms or other venues of similar size. The 50-100°×55° constant directional unsymmetric rotary compression horn enables both vertical and horizontal installations with accurate crossover guarantees excellent sound effect. Blended with 15" active or 18" passive subwoofers, the two way full range loudspeakers are able to produce different styles of music perfectly.



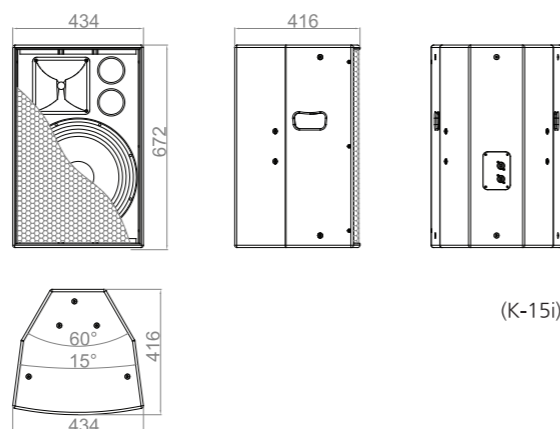
## 应用领域 Application

- 娱乐会所 KTV
- 多功能厅 Multifunctional hall
- 会议室 Conference room

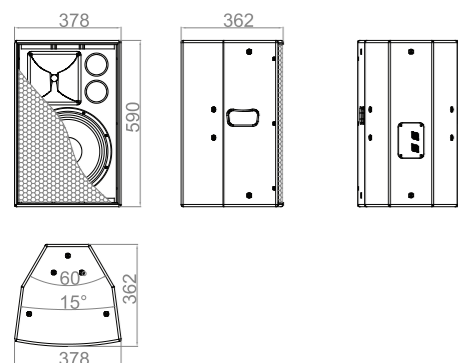
## 结构图 Structural diagram



(K-10i)



(K-15i)



(K-12i)

## 参数规格 Specification

型号名称:	K-10i	K-12i	K-15i
类型:	10"无源二分频全频音箱	12"无源二分频全频音箱	15"无源二分频全频音箱
频率范围 (-6 dB):	65 Hz - 18 kHz	55 Hz - 18 kHz	50 Hz - 18 kHz
功率 (额定/峰值) (AES):	200 W / 800 W	350 W / 1400 W	400 W / 1600 W
灵敏度 (1 W / 1 m):	95 dB	96 dB	98 dB
最大声压级 (1 m):	124 dB	127 dB	130 dB
阻抗:	8 Ω	8 Ω	8 Ω
指向角度 (水平×垂直):	50°-100° × 55°, 号角可以旋转	50°-100° × 55°, 号角可以旋转	50°-100° × 55°, 号角可以旋转
低音单元:	10"铁氧体单元, 2"音圈	12"铁氧体单元, 2.4"音圈	15"铁氧体单元, 2.4"音圈
高音单元:	1"铁氧体压缩单元, 1.3"音圈	1"铁氧体压缩单元, 1.75"音圈	1"铁氧体压缩单元, 1.75"音圈
保护:	高音保护	高音保护	高音保护
输入接口:	2 NL-4 pins+1/-1 input/ THRU pins+2/-2 空接	2 NL-4 pins+1/-1 input/ THRU pins+2/-2 空接	2 NL-4 pins+1/-1 input/ THRU pins+2/-2 空接
吊挂系统:	18个M8吊挂点	18个M8吊挂点	18个M8吊挂点
箱体材料/喷漆:	15 mm MDF/ 聚脲漆	15 mm MDF/ 聚脲漆	15 mm MDF/ 聚脲漆
尺寸 (W × H × D):	322 x 500 x 308 mm	378 x 590 x 362 mm	434 x 672 x 416 mm
净重:	14 kg	20.5 kg	26.8 kg

Model:	K-10i	K-12i	K-15i
Type:	10" two way passive full range loudspeaker	12" two way passive full range loudspeaker	15" two way passive full range loudspeaker
Frequency response (-6 dB):	65 Hz - 18 kHz	55 Hz - 18 kHz	50 Hz - 18 kHz
Power handling (RMS/ Peak)(AES):	200 W / 800 W	350 W / 1400 W	400 W / 1600 W
Sensitivity (1 W / 1 m):	95 dB	96 dB	98 dB
MAX SPL (1 m):	124 dB	127 dB	130 dB
Impedance:	8 Ω	8 Ω	8 Ω
Dispersion (H × V):	50°-100° × 55°, HF-Horn rotatable	50°-100° × 55°, HF-Horn rotatable	50°-100° × 55°, HF-Horn rotatable
LF Transducer:	10", ferrite magnet, 2" voice coil	12", ferrite magnet, 2.4" voice coil	15", ferrite magnet, 2.4" voice coil
HF Transducer:	1", ferrite compression unit, 1.3" voice coil	1", ferrite compression unit, 1.75" voice coil	1", ferrite compression unit, 1.75" voice coil
Protection:	Tweeter protection	Tweeter protection	Tweeter Protection
Input interface:	2 NL-4 pins+1/-1 input/ THRU pins+2/-2 N.C.	2 NL-4 pins+1/-1 input/ THRU pins+2/-2 N.C.	2 NL-4 pins+1/-1 input/ THRU pins+2/-2 N.C.
Rigging system:	18× M8 rigging point	18× M8 rigging point	18× M8 rigging point
Cabinet material / Coating:	15 mm MDF Polyurea coating	15 mm MDF Polyurea coating	15 mm MDF Polyurea coating
Dimensions (W × H × D):	322 × 500 × 308 mm	378 × 590 × 362 mm	434 × 672 × 416 mm
Net weight:	14 kg	20.5 kg	26.8 kg



# K-18B

18" Bass reflex subwoofer

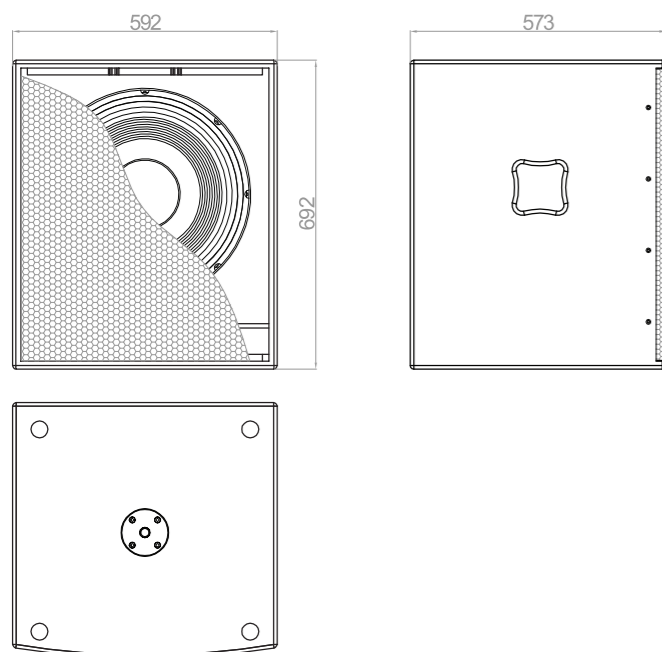
K-18B是单18寸额定功率RMS 600W的倒相式超低音音箱，能与K系列全频音箱组合成完美的扩声体系，满足于日常高强度应用需求和现场演出。

K-18B is a 18" bass reflex subwoofer with 600W RMS power handling. It blends beautifully with K-series to form an excellent full range response with high SPL and clear sound. It also easily stands the tough daily demands of touring and live applications.

## ))) 应用领域 Application

- 娱乐会所 KTV
- 多功能厅 Multifunctional hall
- 小型演出 Small scale performance

## ))) 结构图 Structural diagram



## ))) 参数规格 Specification

型号名称: **K-18B**

类型: 单18"倒相式超低音音箱

频率范围 (-6 dB) : 40 Hz - 200 Hz

功率 (额定/峰值) (AES): 600 W / 2400 W

灵敏度 (1 W / 1 m) : 101 dB

最大声压级 (1 m) : 135 dB

阻抗: 8 Ω

低音单元: 18"铁氧体单元, 4"音圈

输入接口: 2 NL-4

pins+1/-1 input/ THRU

pins+2/-2 空接

箱体材料/喷漆: 18 mm MDF / 聚脲漆

尺寸 (W × H × D) : 592 × 692 × 573 mm

净重: 43.5 kg

## Model: K-18B

Type: 18" bass reflex subwoofer

Frequency response (-6 dB) : 40 Hz - 200 Hz

Power handling (RMS / Peak) (AES) : 600 W / 2400 W

Sensitivity (1 W / 1 m): 101 dB

MAX SPL (1 m) : 135 dB

Impedance: 8 Ω

LF Transducer: 18", ferrite magnet, 4" voice coil

Input interface: 2 NL-4

pins+1/-1 input/ THRU

pins+2/-2 N.C.

Cabinet material / Coating: 18 mm MDF / Polyurea coating

Dimensions (W × H × D) : 592 × 692 × 573 mm

Net weight: 43.5 kg

# M-12AB

12" Bass reflex subwoofer

M-12AB是一款倒相式紧凑型有源超低音箱，具有出色的低音和完美的动态特性，能与K、CV系列配合，适用于中小型房间。

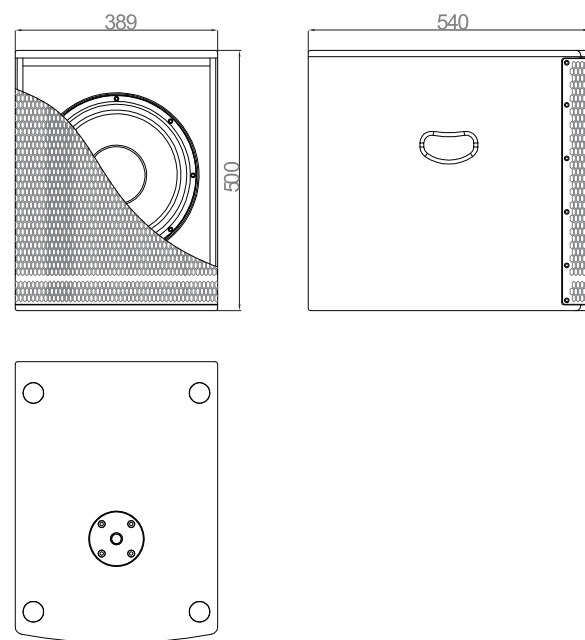
M-12AB is a compact active bass reflex subwoofer that features excellent bass and a wide dynamic range. It can be perfectly blended with K- and CV-series to meet various demands of middle- and small-sized venues.



## 应用领域 Application

- 娱乐会所 KTV
- 多功能厅 Multifunctional hall
- 轻吧 Bars

## 结构图 Structural diagram



## 参数规格 Specification

型号名称: **M-12AB**

类型: 单12"倒相式重低音有源音箱

频率范围(-6 dB): 35 Hz - 200 Hz

额定功率(RMS): 300 W

灵敏度(1 W / 1 m): 97 dB

最大声压级(1 m): 128 dB

阻抗: 4 Ω

低音单元: 12"铁氧体单元, 3"音圈

保护: 短路保护, 限幅器, 过载

控制: 低音音量, On / Off, 相位, 低频低通

输入 / 输出接口: XLR / 6.3 mm jack (组合), Output XLR

箱体材料 / 喷漆: 15 mm精选多层板 / 聚脲漆

尺寸(W × H × D): 389 × 500 × 540 mm

净重: 25.5 kg

## Model: M-12AB

Type: 12" bass reflex subwoofer

Frequency response (-6 dB): 35 Hz - 200 Hz

Power handling (RMS): 300 W

Sensitivity (1 W / 1 m): 97 dB

MAX SPL (1 m): 128 dB

Impedance: 4 Ω

LF Transducer: 12", ferrite magnet, 3" voice coil

Protection: Short circuit, limiter, over load

Controls: Sub level, power, subwoofer phase reverse, sub freq (adjustable low-pass filter)

Input / Output interface: XLR / 6.3 mm jack (combo), Output XLR

Cabinet / Coating: 15 mm selected plywood, Polyurea coating

Dimensions (W × H × D): 389 × 500 × 540 mm

Net weight: 25.5 kg